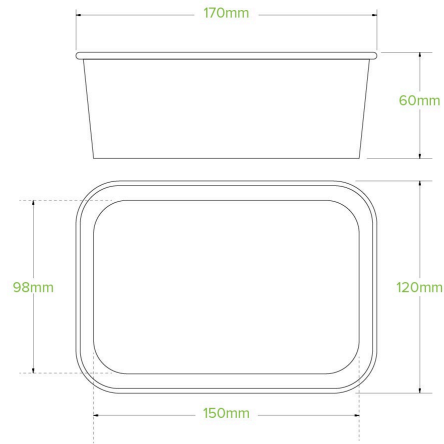


750ml White BioBoard Takeaway Base BB-LB-750-W



750ml White Rectangular Paper Food Containers are sustainably sourced and made from FSC™ certified paper board. They are lined with a bioplastic made from plants, not oil. This eco-friendly packaging is perfect for hot and greasy food. Certified industrially compostable.

Carton quantity: 300	Sleeves per carton: 6	Units per sleeve: 50
Carton Size LxWxH (cm): 38x36x46	Carton gross weight (kg): 6.200000	Carton barcode: 19344062067808
Raw Material: Paper - FSC™ Mix certified paper	Lining/coating: Bioplastic - PLA	Window Material: None
Printing Type: Flexo	Inks: Food Contact Safe Inks	Brim fill capacity (ml): 810
Dimensions top LxW (mm): 172x120	Dimensions base LxW (mm): 150x98	Product Depth: 56
Thickness: 350gsm	Use: Hot, Cold, Wet & Dry Products	Manufactured: China
Customise: Print	MOQ custom: 50000	Mould fees: Yes - see custom packaging
Home compostable: No	Industrially compostable: Yes	Recyclable: No